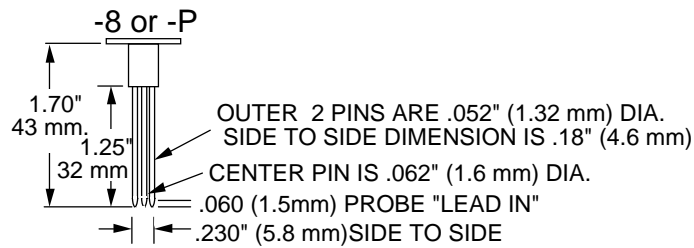
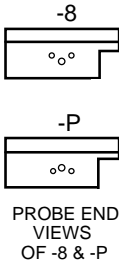
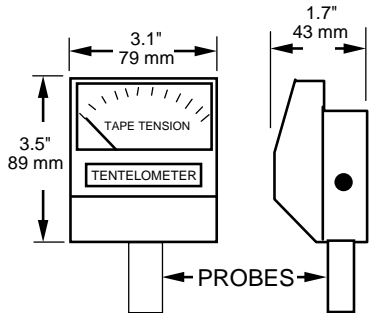
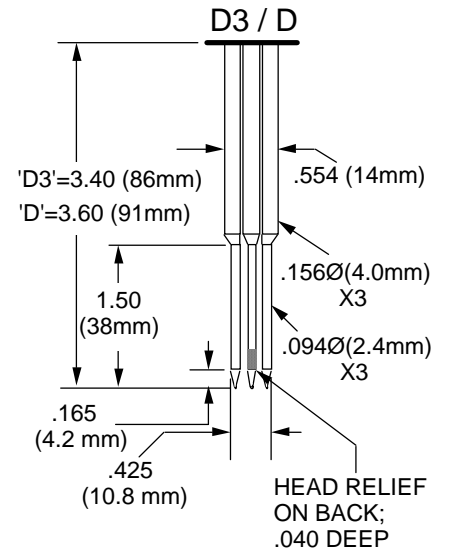
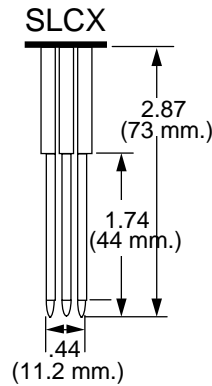
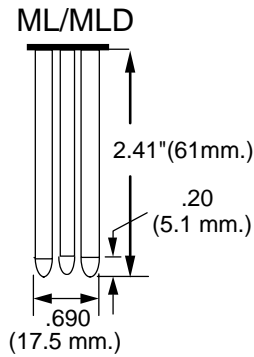
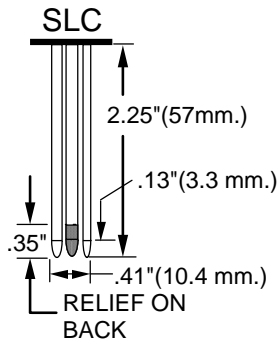
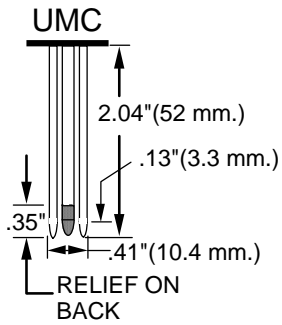
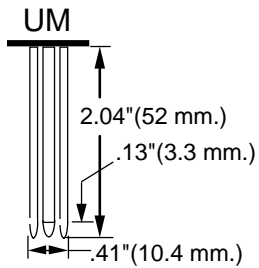


TENTELOMETER PROBES



PROBES WITH BALL BEARING ROLLERS TO ELIMINATE FRICTIONAL DRAG AGAINST THE MAGNETIC TAPE

